

RIVA | STUDIO FIRENZA, PIENZA & SIENNA



The Riva Studio stone frames offer three stylish natural options to complement your Studio fire. This range has been created to add maximum visual impact, blending the subtle textures and delicate tones of natural stone with the very latest in fireplace design, offering a solid quality to expertly contrast with the fluid motion of the rolling flames.

Whether it's the polished black granite Firenze, the timeless limestone Pienza or the stylish travertine Sienna, your choice from this stunning collection will add that look of undeniable elegance to your interior that is only achieved by using solid stone.

Available for either the Riva Studio 1 or 2, and at home in both contemporary and modern interiors, these precision-cut, stunning frames offer the ultimate in design perfection. Style has never been so effortless.



Fire sizes	Studio 1	Studio 2
Heat outputs	5.0kW	8.0kW
Maximum log lengths	300mm (12")	400mm (16")
Frame dimensions mm (wxhxd)	1480 x 597 x 18	1720 x 621 x 18



RIVA | STUDIO

High Efficiency Cassette & Freestanding Fires

Stovax's dedication to the development of premium quality stoves and fireplaces over the past 30 years has helped to make it one of Europe's leading specialist manufacturers. Now the company's expertise has brought woodburning technology to the very pinnacle of performance and design with the introduction of the Riva Studio.



Expertly designed, the Riva Studio's clean, contemporary lines complement modern interiors and incorporate Stovax's technically advanced cleanburn combustion systems, which provide outstanding flame pictures and superior heating efficiencies, powerful airwash systems to help keep the window clean and the facility for practical options such as fan-assisted convection and multi-space heating.

To own a Riva Studio is to make a design statement that will become a heart-warming focal point to your home. There are several different styling options from the simple Edge or Cool Wall kits to the larger format Steel, Glass or Ceramic frames, there are even several Freestanding, Bench mounted & Hearth mounted models to ensure that there will be a Riva Studio just right for you.

Just as importantly, by burning logs, the Riva Studio fires use an energy source that is carbon neutral, renewable and infinitely better for our environment.

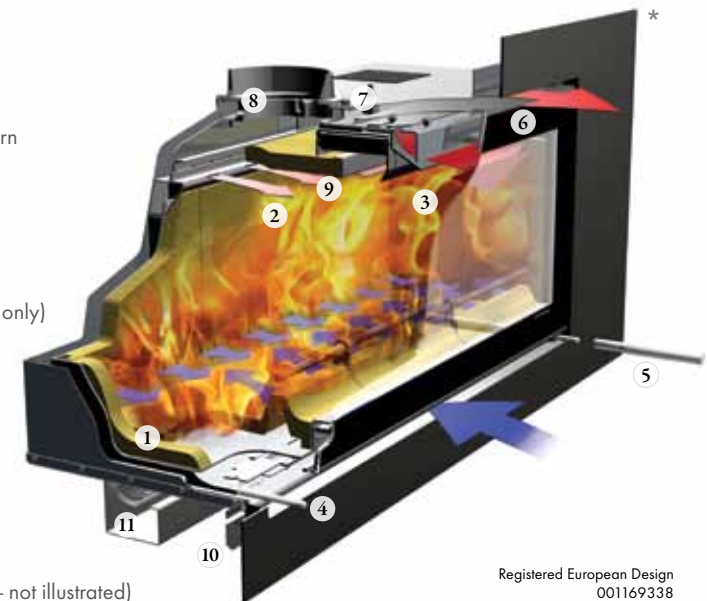
Key Design Features



Stovax Riva Studio fires feature the very latest cleanburn combustion systems, allowing them to burn logs with outstanding efficiency, resulting in more heat delivery into the room and less going up the chimney. This technological advancement is achieved by introducing preheated, secondary air into the firebox to burn the excess hydrocarbons in the smoke. Airwash air flow also helps keep the window clean, allowing you to enjoy the flames to the full. The Riva Studio offers you full control of flame aesthetics. From a lazy roll to a lively roar, you can adjust your fire to suit your mood. The doors on the Studio 1 and 2 are left hinged whilst the larger Studio 3 door opens downwards, minimising the risk of ash falling beyond the hearth and into the room.

Riva Studio design features

1. TCL (Technical Combustion Lining)
High density thermal liner system
2. Heated air jets from cleanburn ports burn hydrocarbons in smoke
3. Airwash air flow
4. Primary control
5. Removable handle (Studio 1, 2 & 3)
and door opening catch (Studio 1 & 2 only)
6. Convected and radiant heat
7. Convected heat ducting system outlet
8. Easy fit flue connection
9. Removable baffles
10. External air facility (cassettes only)
11. Optional fan kit (cassettes only)
12. Optional 10° flue outlet (cassettes only - not illustrated)
13. Optional Smoke Control Kit (Studio 1 & 2 only - not illustrated)



Registered European Design
001169338

* Illustration shows Cassette fire with frame.



Riva Studio Verve (horizontal curve) (aerial view below)



Riva Studio Profil



Riva Studio Bauhaus - Polished Stainless Steel



Riva Studio Bauhaus - Midnight Black Metallic



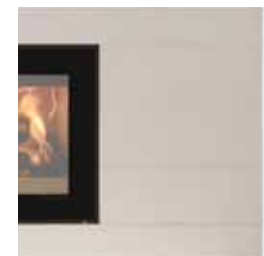
Riva Studio Glass



Riva Studio Sienna



Riva Studio Firenze



Riva Studio Pienza



Riva Studio Steel



Riva Studio Ceramica Wave - Graphite



Riva Studio Ceramica Wave - Oyster White

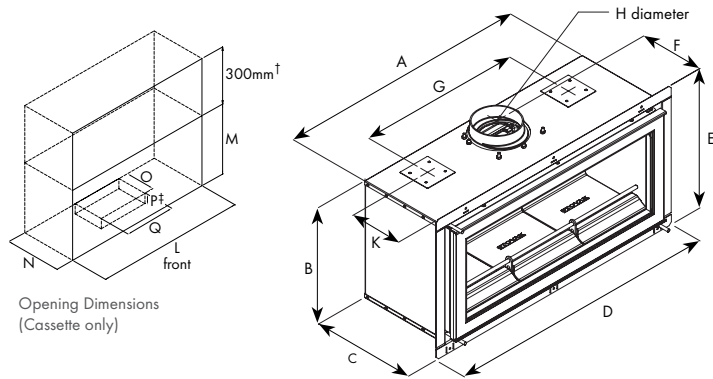


Riva Studio Ceramica Wave - Oyster White & Graphite

RIVA STUDIO | INFORMATION

A HETAS approved installer should undertake a site survey prior to purchase and must install your Riva Studio for you. Your Stovax retailer will be able to offer advice on this. You may also view or download complete installation instructions from our website - www.stovax.com. The diagrams on these pages cover some of the basic requirements and are for initial information purposes only.

CASSETTE

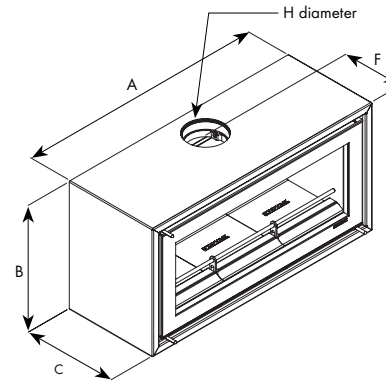


CASSETTE DIMENSIONS

(all dimensions in mm)	Studio 1	Studio 2	Studio 3	Studio 1 FS	Studio 2 FS
A	745	950	1332	800	1000
B	415	440	450	479	504
C	350	350	393	380	380
D	821	1019	1406	-	-
E	497	522	532	-	-
F	246	246	291	260	260
G	480	610	610/1010*	-	-
H ø	153	153	153	153	153
K	240	240	275	-	-
L	755	960	1342	-	-
M	435	460	470	-	-
N	355	355	405	-	-
O	100	115	115	-	-
P	25	25	25	-	-
Q	605	750	750	-	-
Flame Viewing Area (w x h)	590 x 263	790 x 289	1177 x 286	590 x 263	790 x 289
Weight	92Kg	112Kg	206Kg	100Kg	120Kg

† Extra height required when fitting Warm Air Ducting kit. ‡ If a fan kit is required, please allow 250mm for fitting.
 * Studio 1 & 2 models have two air duct outlets whilst Studio 3 models have four.
 Please refer to installation manual for minimum distances to combustible materials.

FREESTANDING



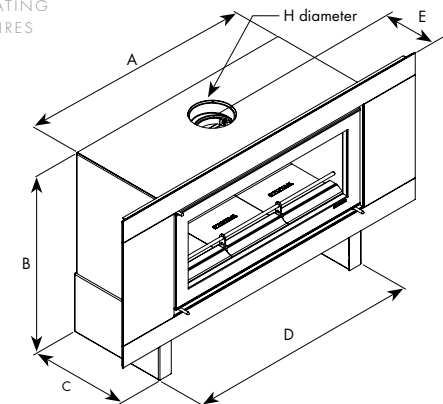
FREESTANDING DIMENSIONS **

	Studio 1 FS	Studio 2 FS
A	800	1000
B	479	504
C	380	380
D	-	-
E	-	-
F	260	260
G	-	-
H ø	153	153
K	-	-
L	-	-
M	-	-
N	-	-
O	-	-
P	-	-
Q	-	-
Flame Viewing Area (w x h)	590 x 263	790 x 289
Weight	100Kg	120Kg

** For complementary benches to go with the Freestanding models, please see information provided on page 34.

BENCH - STEEL & GLASS FRAMES

INCORPORATING CASSETTE FIRES



BENCH DIMENSIONS WITH BENCH CASING †

	Studio 1	Studio 2	Studio 3
A	800	1000	1400
B	735/835	766/866	770/870
C	420	420	420
D	1000	1000	1400
E	246	246	291
H	153	153	153

For Bench frame dimensions, please see page 33

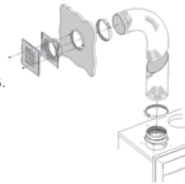
RIVA STUDIO FIRE INFORMATION

Product Code	Description	Heat Output	Fuel Type	Efficiency
RVS-1	Riva Studio 1	5.0kW	Wood	75%
RVS-2	Riva Studio 2	8.0kW	Wood	75%
RVS-3	Riva Studio 3	11.0kW	Wood	75%
RVFS-1	Riva Studio 1 Freestanding	5.0kW	Wood	75%
RVFS-2	Riva Studio 2 Freestanding	8.0kW	Wood	75%

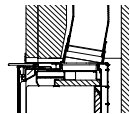
† Please note that the Bench casing is required to fit a Glass or Steel frame to a Bench model, and is included with the frame codes on page 33.

Warm Air Ducting kit

The kit, for the cassettes only, which includes two 3 metre lengths of flexible ducting, allows you to heat up to two other living spaces. The Riva Studio 3 has four ports so you can even add two kits if required, providing heat for up to four additional rooms.



10° Angled Flue Outlet



This optional flue outlet for the Riva Studio Cassettes offers greater installation flexibility and ease, especially in larger openings with deeper lintels.

Product Guarantee



All Riva Studio fires are guaranteed for 2 years from the date of purchase. However, this is dependent upon servicing the appliance 12 months after installation and specifically excludes 'wear and tear' items, such as glass, firebricks, log retainers, baffles and rope seal. The use of petrocake in a Riva Studio will invalidate its guarantee. Full details are available to view at www.stovax.com.

Stovax pursue a policy of continuous product improvement, therefore, whilst our products are correct at the time of the photography, we reserve the right to make alterations and amendments. Exact product details should be discussed with your retailer at the time of purchase.

All fire and flame photography has been taken from genuine products, however, the exact appearance of the flame picture for any appliance will vary depending on the nature of the flue type, installation surroundings, local geographical features and the way in which the appliance is operated.



Care of your Riva Studio

To help you get the best performance from your fire and keep it in good condition, inside and out, Stovax offers a wide range of cleaning and maintenance products. Stovax also supply a wide variety of fireplace accessories and flue pipe. Your Stovax retailer will be able to give you full details or you can view the complete range at www.stovax.com.



Fireplace Tile Surrounds

A unique collection of 22 ceramic and natural stone tiles designed to complement your Stovax stove or fireplace. As shown on pages 9 & 12, Stovax's fireplace tiles are the perfect enhancement to your Riva Studio, creating the ultimate contemporary look. To request a brochure, simply contact your local retailer or visit www.stovax.com.

Professional XQ Chimney Systems

Incorporating 6 flue diameters from 125mm - 300mm, along with a complete range of fixings and accessories, Professional XQ can be configured to suit virtually any installation requirement. The complete range, with Twist-Lock connection, allows for quicker, easier and safer installation, with more versatility than other leading brands. To request a brochure, contact your local retailer or simply visit www.stovax.com/chimneysystems.

