

RIVA | STUDIO BAUHAUS

The Riva Studio Bauhaus is a classic three dimensional tapered frame. This frame comes in two finishes and is offered on all sizes of Riva Studio fires, enabling you to perfectly match the Bauhaus to whatever the size and style of your room. Whether you opt for the contemporary Polished Stainless Steel or the refined lines of the Midnight Black Metallic finish, the Bauhaus will heat your home in flawless style.



Left:
Studio 3 Bauhaus
in Polished Stainless Steel.

Right:
Studio 2 Bauhaus
in Midnight Black Metallic.

| Fire sizes | Studio 1 | Studio 2 | Studio 3 |
|-----------------------------|----------------|-----------------|-----------------|
| Heat outputs | 5.0kW | 8.0kW | 11.0kW |
| Maximum log lengths | 300mm (12") | 400mm (16") | 500mm (20") |
| Frame dimensions mm (wxhxd) | 850 x 526 x 49 | 1050 x 554 x 49 | 1437 x 559 x 49 |



RIVA | STUDIO

High Efficiency Cassette & Freestanding Fires

Stovax's dedication to the development of premium quality stoves and fireplaces over the past 30 years has helped to make it one of Europe's leading specialist manufacturers. Now the company's expertise has brought woodburning technology to the very pinnacle of performance and design with the introduction of the Riva Studio.



Expertly designed, the Riva Studio's clean, contemporary lines complement modern interiors and incorporate Stovax's technically advanced cleanburn combustion systems, which provide outstanding flame pictures and superior heating efficiencies, powerful airwash systems to help keep the window clean and the facility for practical options such as fan-assisted convection and multi-space heating.

To own a Riva Studio is to make a design statement that will become a heart-warming focal point to your home. There are several different styling options from the simple Edge or Cool Wall kits to the larger format Steel, Glass or Ceramic frames, there are even several Freestanding, Bench mounted & Hearth mounted models to ensure that there will be a Riva Studio just right for you.

Just as importantly, by burning logs, the Riva Studio fires use an energy source that is carbon neutral, renewable and infinitely better for our environment.

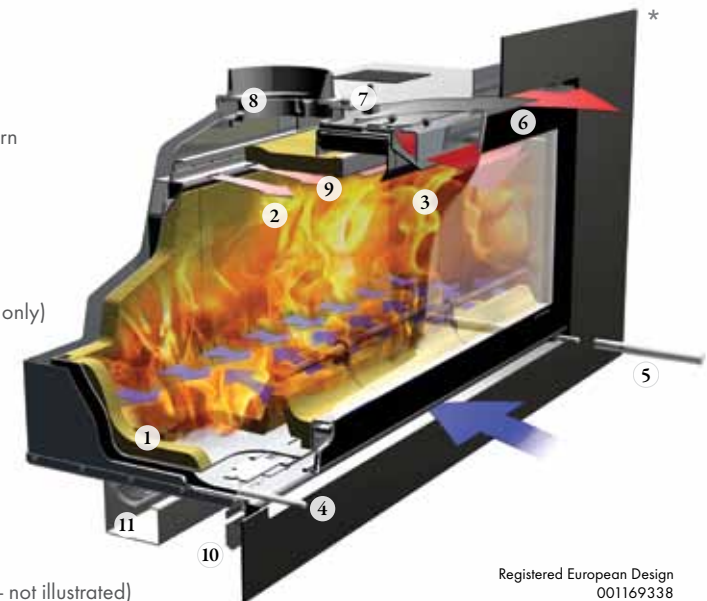
Key Design Features



Stovax Riva Studio fires feature the very latest cleanburn combustion systems, allowing them to burn logs with outstanding efficiency, resulting in more heat delivery into the room and less going up the chimney. This technological advancement is achieved by introducing preheated, secondary air into the firebox to burn the excess hydrocarbons in the smoke. Airwash air flow also helps keep the window clean, allowing you to enjoy the flames to the full. The Riva Studio offers you full control of flame aesthetics. From a lazy roll to a lively roar, you can adjust your fire to suit your mood. The doors on the Studio 1 and 2 are left hinged whilst the larger Studio 3 door opens downwards, minimising the risk of ash falling beyond the hearth and into the room.

Riva Studio design features

1. TCL (Technical Combustion Lining)
High density thermal liner system
2. Heated air jets from cleanburn ports burn hydrocarbons in smoke
3. Airwash air flow
4. Primary control
5. Removable handle (Studio 1, 2 & 3)
and door opening catch (Studio 1 & 2 only)
6. Convected and radiant heat
7. Convected heat ducting system outlet
8. Easy fit flue connection
9. Removable baffles
10. External air facility (cassettes only)
11. Optional fan kit (cassettes only)
12. Optional 10° flue outlet (cassettes only - not illustrated)
13. Optional Smoke Control Kit (Studio 1 & 2 only - not illustrated)



Registered European Design
001169338

* Illustration shows Cassette fire with frame.



Riva Studio Verve (horizontal curve) (aerial view below)



Riva Studio Profil



Riva Studio Bauhaus - Polished Stainless Steel



Riva Studio Bauhaus - Midnight Black Metallic



Riva Studio Glass



Riva Studio Sienna



Riva Studio Firenze



Riva Studio Pienza



Riva Studio Steel



Riva Studio Ceramica Wave - Graphite



Riva Studio Ceramica Wave - Oyster White

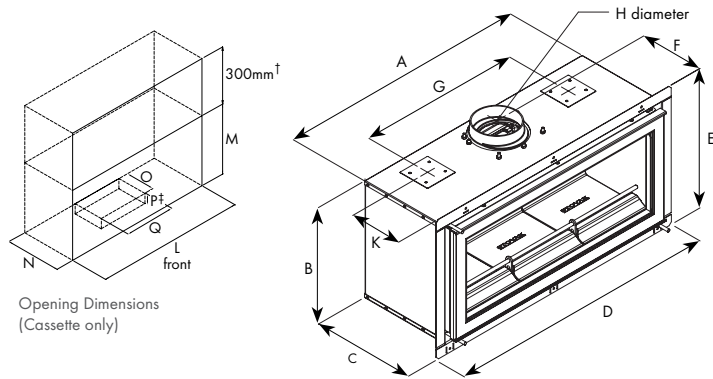


Riva Studio Ceramica Wave - Oyster White & Graphite

RIVA STUDIO | INFORMATION

A HETAS approved installer should undertake a site survey prior to purchase and must install your Riva Studio for you. Your Stovax retailer will be able to offer advice on this. You may also view or download complete installation instructions from our website - www.stovax.com. The diagrams on these pages cover some of the basic requirements and are for initial information purposes only.

CASSETTE



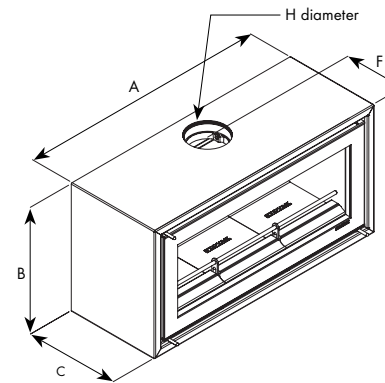
Opening Dimensions
(Cassette only)

CASSETTE DIMENSIONS

| (all dimensions in mm) | Studio 1 | Studio 2 | Studio 3 | Studio 1 FS | Studio 2 FS |
|----------------------------|-------------|--------------|--------------|--------------|--------------|
| A | 745 | 950 | 1332 | 800 | 1000 |
| B | 415 | 440 | 450 | 479 | 504 |
| C | 350 | 350 | 393 | 380 | 380 |
| D | 821 | 1019 | 1406 | - | - |
| E | 497 | 522 | 532 | - | - |
| F | 246 | 246 | 291 | 260 | 260 |
| G | 480 | 610 | 610/1010* | - | - |
| H ø | 153 | 153 | 153 | 153 | 153 |
| K | 240 | 240 | 275 | - | - |
| L | 755 | 960 | 1342 | - | - |
| M | 435 | 460 | 470 | - | - |
| N | 355 | 355 | 405 | - | - |
| O | 100 | 115 | 115 | - | - |
| P | 25 | 25 | 25 | - | - |
| Q | 605 | 750 | 750 | - | - |
| Flame Viewing Area (w x h) | 590 x 263 | 790 x 289 | 1177 x 286 | 590 x 263 | 790 x 289 |
| Weight | 92Kg | 112Kg | 206Kg | 100Kg | 120Kg |

† Extra height required when fitting Warm Air Ducting kit. ‡ If a fan kit is required, please allow 250mm for fitting.
* Studio 1 & 2 models have two air duct outlets whilst Studio 3 models have four.
Please refer to installation manual for minimum distances to combustible materials.

FREESTANDING



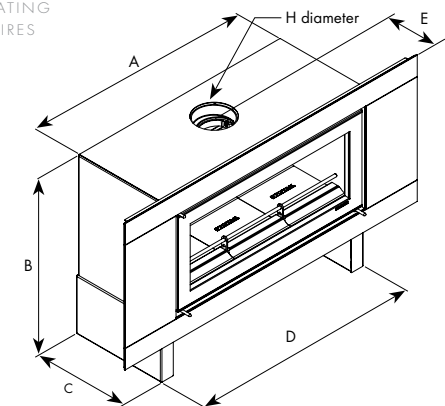
FREESTANDING DIMENSIONS **

| (all dimensions in mm) | Studio 1 FS | Studio 2 FS |
|----------------------------|--------------|--------------|
| A | 800 | 1000 |
| B | 479 | 504 |
| C | 380 | 380 |
| D | - | - |
| E | - | - |
| F | 260 | 260 |
| G | - | - |
| H ø | 153 | 153 |
| K | - | - |
| L | - | - |
| M | - | - |
| N | - | - |
| O | - | - |
| P | - | - |
| Q | - | - |
| Flame Viewing Area (w x h) | 590 x 263 | 790 x 289 |
| Weight | 100Kg | 120Kg |

** For complementary benches to go with the Freestanding models, please see information provided on page 34.

BENCH - STEEL & GLASS FRAMES

INCORPORATING
CASSETTE FIRES



BENCH DIMENSIONS WITH BENCH CASING †

| (all dimensions in mm) | Studio 1 | Studio 2 | Studio 3 |
|------------------------|----------|----------|----------|
| A | 800 | 1000 | 1400 |
| B | 735/835 | 766/866 | 770/870 |
| C | 420 | 420 | 420 |
| D | 1000 | 1000 | 1400 |
| E | 246 | 246 | 291 |
| H | 153 | 153 | 153 |

For Bench frame dimensions, please see page 33

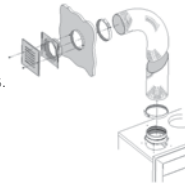
RIVA STUDIO FIRE INFORMATION

| Product Code | Description | Heat Output | Fuel Type | Efficiency |
|--------------|----------------------------|-------------|-----------|------------|
| RVS-1 | Riva Studio 1 | 5.0kW | Wood | 75% |
| RVS-2 | Riva Studio 2 | 8.0kW | Wood | 75% |
| RVS-3 | Riva Studio 3 | 11.0kW | Wood | 75% |
| RVFS-1 | Riva Studio 1 Freestanding | 5.0kW | Wood | 75% |
| RVFS-2 | Riva Studio 2 Freestanding | 8.0kW | Wood | 75% |

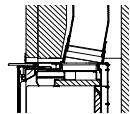
† Please note that the Bench casing is required to fit a Glass or Steel frame to a Bench model, and is included with the frame codes on page 33.

Warm Air Ducting kit

The kit, for the cassettes only, which includes two 3 metre lengths of flexible ducting, allows you to heat up to two other living spaces. The Riva Studio 3 has four ports so you can even add two kits if required, providing heat for up to four additional rooms.



10° Angled Flue Outlet



This optional flue outlet for the Riva Studio Cassettes offers greater installation flexibility and ease, especially in larger openings with deeper lintels.

Product Guarantee



All Riva Studio fires are guaranteed for 2 years from the date of purchase. However, this is dependent upon servicing the appliance 12 months after installation and specifically excludes 'wear and tear' items, such as glass, firebricks, log retainers, baffles and rope seal. The use of petrocake in a Riva Studio will invalidate its guarantee. Full details are available to view at www.stovax.com.

Stovax pursue a policy of continuous product improvement, therefore, whilst our products are correct at the time of the photography, we reserve the right to make alterations and amendments. Exact product details should be discussed with your retailer at the time of purchase.

All fire and flame photography has been taken from genuine products, however, the exact appearance of the flame picture for any appliance will vary depending on the nature of the flue type, installation surroundings, local geographical features and the way in which the appliance is operated.



Care of your Riva Studio

To help you get the best performance from your fire and keep it in good condition, inside and out, Stovax offers a wide range of cleaning and maintenance products. Stovax also supply a wide variety of fireplace accessories and flue pipe. Your Stovax retailer will be able to give you full details or you can view the complete range at www.stovax.com.



Fireplace Tile Surrounds

A unique collection of 22 ceramic and natural stone tiles designed to complement your Stovax stove or fireplace. As shown on pages 9 & 12, Stovax's fireplace tiles are the perfect enhancement to your Riva Studio, creating the ultimate contemporary look. To request a brochure, simply contact your local retailer or visit www.stovax.com.

Professional XQ Chimney Systems

Incorporating 6 flue diameters from 125mm - 300mm, along with a complete range of fixings and accessories, Professional XQ can be configured to suit virtually any installation requirement. The complete range, with Twist-Lock connection, allows for quicker, easier and safer installation, with more versatility than other leading brands. To request a brochure, contact your local retailer or simply visit www.stovax.com/chimneysystems.

