

# RIVA | 66 AVANTI

Sharing exactly the same firebox features as the standard Riva™ 66, the Avanti differs only by its more contemporary styling - offering a design statement in its own right.

Above and below the door there are finely proportioned Jet Black steel panels, whilst the door itself is gently curved and finished in Stovax's Storm paint. The door handle locates on the right and may be removed after refuelling. The controls are discreetly positioned under the door so all you can see are the crisp, clean lines of the Avanti surrounding a swirling picture of flames.

If you are considering burning smokeless fuel then a cast iron, smokeless fuel 'reducing' kit is required. This allows you to load less fuel into the firebox and obtain even greater heating economy (plus you can still burn wood with equal efficiency). Another practical option available for the Riva™ 66 Avanti is a ducting system that distributes some of the heat produced to other points in the same room or into other living spaces.

## Additional options

## Storm/Jet Black

Warm air ducting kit (2 outlets).....	8572
Optional 50mm box 'spacer' * .....	RV66AVSP
Fan-assisted convection circulation kit (240v).....	RV66AVFK
Stainless steel tool holder .....	RVAC015
Cast iron, smokeless fuel 'reducing' kit § .....	RVAC002
Smoke Control Kit.....	RV66SCKIT
Ash caddy .....	4227

\*Enables the Riva™ 66 Avanti to fit into 350mm fireplace recesses - please see page 47.

§ Required if smokeless fuel is to be used regularly.



Fire size	Riva 66 Avanti
Heat output	8.0kW
Maximum efficiency	80%
Maximum log length	450mm (17¾")
Flue connection (internal diameter)	153mm (6")

**Above/Left:**  
Riva 66 Avanti.



# RIVA | STOVES & CASSETTES

## Outstanding Efficiency

Riva™ cassettes and stoves incorporate the very latest cleanburn technology with a unique 'Opti-Burn' setting. This means that they burn logs or smokeless fuels with outstanding efficiency, resulting in more heat delivery into the room and less going up the chimney. In addition to the radiant heat, a fourth airflow, between the inner and outer skins of the Riva™, provides convected heat. This is emitted into the room naturally or, in the case of the 50, 55, 66 and 76, via an optional fan kit. The cassettes also offer the opportunity to heat other living spaces using an optional ducting system.



All Riva™ cassettes and stoves direct three types of air into the glass-fronted firebox, where they combine to provide superb flame control and exceptional views of the fire which are further enhanced by Stovax's Airwash system that helps keep the glass clean.



Riva 55 with standard 3 sided frame in Jet Black Metallic

## Smoke Control Area Approved

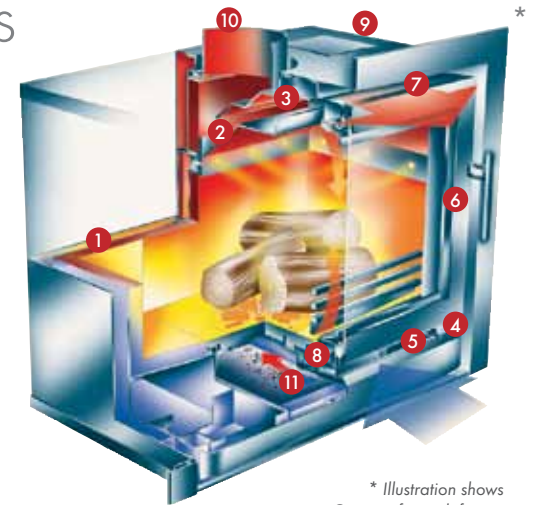
Many of the Riva™ Stoves and Cassettes in this brochure are approved by DEFRA for the burning of logs in Smoke Control Areas (when the appropriate smoke control kit is fitted) and this is shown on the relevant product pages. Your Stovax retailer can give you further help and advice.



## Key Design Features

1. High density, thermal brick liner system.
2. Heated air jets from cleanburn ports on all three sides burn hydrocarbons in smoke.
3. Unique stainless steel baffle (multi-fuel).
4. Single combustion control lever.
5. Unique "Opti-Burn" setting provides optimum efficiency and visual effect for woodburning.
6. Airtight door with removable stainless steel handle.
7. Convected and radiant heat.
8. Externally operated riddling grate.
9. Convected heat ducting system outlets (Riva 50, 55, 66 & 76 cassettes only).
10. Easy fit flue connection through cassette.
11. Removable stainless steel ashpan.
12. Optional cast iron, smokeless fuel 'reducing' kit† (not illustrated)
13. Optional stainless steel tool holder (not illustrated)
14. Optional fan-assisted convection system (Riva 50, 55, 66 & 76 cassettes only - not illustrated)
15. Optional ash caddy (not illustrated)

†Required if smokeless fuel is to be used regularly



# RIVA FIRE & STOVE | INFORMATION

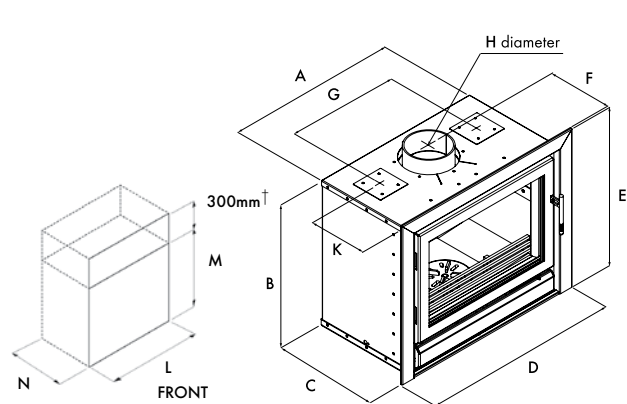
A HETAS approved installer should undertake a site survey prior to purchase and must install any Riva Stoves and Cassette Fires. Your Stovax retailer will be able to advise on this and, in particular, the use of high temperature (1300°C) plaster/screed in the area around Riva Cassettes. You may view/download complete installation instructions at our website - [www.stovax.com](http://www.stovax.com). These diagrams cover some of the basic requirements:

## CASSETTES

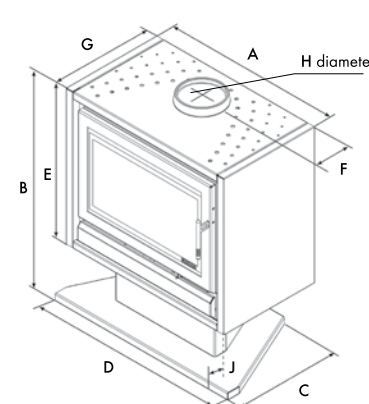
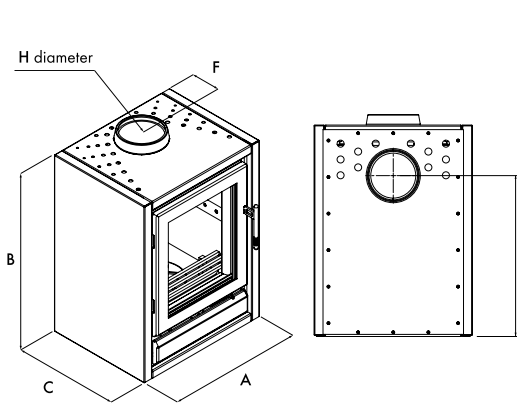
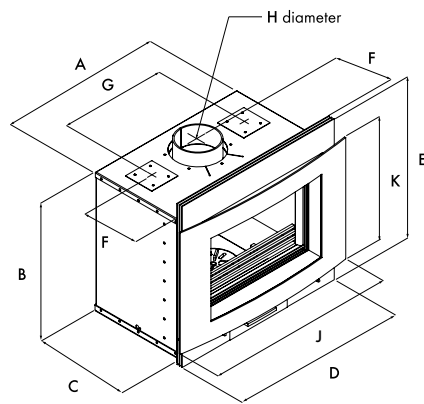
## AVANTI CASSETTE

## FREESTANDING

## PEDESTAL



Opening Dimensions  
(Cassette only)



### CASSETTE DIMENSIONS

### FREESTANDING DIMENSIONS \*\*

### PEDESTAL DIMENSIONS

(all dimensions in mm)	Riva 40	Riva 45	Riva 50	Riva 55	Riva 66	Riva 66 Avanti	Riva 76	Riva F40 Freestanding	Riva F66 Freestanding	Riva F76 Freestanding	Riva F66 Pedestal
A	400	400	540	540	650	650	760	451	698	783	699
B	550	660	550	660	550	550	630	602	602	663	826
C	350	350	350	350	395	395	395	355	405	409	420
D	492	492	632	632	742	694	862	-	-	-	766
E	599	709	599	709	599	636	678	119	153	145	603
F	234	234	234	234	248	248	248	-	-	-	150
G	N/A	N/A	360	360	420	420	540	-	-	-	405
H Ø	128	128	128	128	153	153/180	153	128	153	153	153
J	-	-	-	-	-	755	-	-	-	-	15
K	N/A	N/A	N/A	234	248	480	208	-	-	-	-
L	410	410	550	550	660	660	760	-	-	-	-
M	560	670	560	670	560	560	640	-	-	-	-
N	355	360	360	355	405*	405*	405*	-	-	-	-
O	-	-	-	-	-	-	-	458	442	480	-
Door Viewing Area (w x h)	269 x 325	269 x 435	409 x 325	409 x 435	503 x 325	510 x 330	590 x 375	268 x 322	503 x 325	590 x 375	503 x 325
Weight	80kg	80kg	80kg	100kg	110kg	134kg	125kg	82kg	100kg	125kg	114kg

<sup>†</sup>Extra height required when fitting Warm Air Ducting kit.

\*Dimension N may be reduced to 355mm when using Profil or Avanti box spacer frame. (3 sided RV66PRO3D/B & RV76PRO3D/B; 4 sided RV66PRO4D/B, RV76PRO4D/B for Riva cassettes or RV66AVSP for the Riva 66 Avanti cassette)

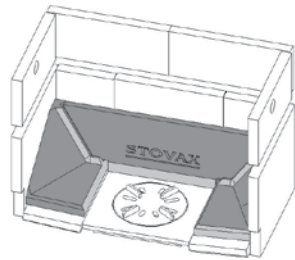
\*\* For stove benches to go with the Freestanding models, please see pages 32 - 33.

Please note the minimum distance to combustible materials for the Riva™ cassettes is 300mm, with the exception of the Riva™ 76 for which you should allow 150mm. For full details please refer to the installation manual.

# FURTHER | INFORMATION

## Smokeless Fuel 'Reducing Kit'

If you expect to burn smokeless fuels then you will need to fit the Smokeless Fuel 'Reducing' Kit. By placing the cast iron guides into the base of the firebox, you will decrease the amount of fuel you need to load and allow the fuel and cinders to fall towards the grate for improved combustion. However, you may still burn logs with equal efficiency.



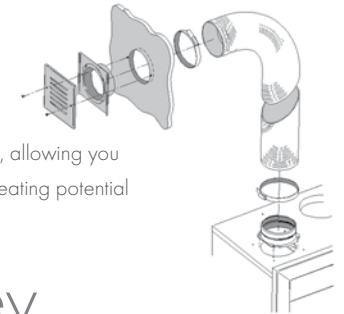
## Care of your Riva

To help you get the best performance from your Riva™ and keep it in good condition, inside and out, Stovax offers a wide range of cleaning and maintenance products. Stovax also supply a wide variety of fireplace accessories, which your retailer will be able to provide you with full details or you may view the complete range at [www.stovax.com](http://www.stovax.com).



## Warm Air Ducting kit

The kit, for the cassettes only, which includes two 3 metre lengths of flexible ducting, allowing you to distribute up to half of the heat output to two other living spaces, extending the heating potential throughout your home.



## Professional XQ™ Chimney Systems & Enamelled Flue Pipe

Stovax also offer a comprehensive range of stove & fireplace chimney systems, the Stovax Professional XQ™ collection. Crafted from 304L grade stainless steel for a durable outer finish, the fully sealed components offer water tight protection for the insulation within. With innovative decorative options, the ability to specify a colour for your system and with a host of technical advancements such as their Twist-Lock system, the Professional XQ™ range provides an attractive, versatile and reliable solution for your flue system. Furthermore, the Professional XQ™ range carries a 10 year conditional warranty offering complete peace of mind. For further information, please speak to your retailer or visit [www.stovax.com/chimneysystems](http://www.stovax.com/chimneysystems).

As part of the Professional XQ™ range Stovax also offer high quality enamel flue pipe, allowing you to fully co-ordinate the installation of your Riva™ stove. The flue pipe diameters required for each model are given on each of the product pages.

### ENAMELLED FLUE PIPE PRODUCT CODES

Description	128mm (5") Diameter	153mm (6") Diameter
<b>Matt black flue pipe</b>		
1' (305mm) straight without door	4500	4600
1' (305mm) straight with door	4504	4604
2' (610mm) straight without door	4501	4601
2' (610mm) straight with door	4505	4605
3' (915mm) straight without door	4502	4602
3' (915mm) straight with door	4506	4606
1'3" - 2'1" (380 - 635mm) telescopic without door	4542	4642
3'4" - 4'6" (1015 - 1370mm) telescopic without door	4540	4640
90° tee piece with end cap (for rear exit)	4516	4616

