

RIVA | 55



Providing greater heat output and a larger window to view the swirling flames, the Riva™ 55 can be installed into a fireplace opening that is 915mm h x 915mm w x 460mm d (36" h x 36" w x 18" d).

The Riva™ 55 offers you two accessories to enhance your heating options. The first is fan-assisted convection for quicker warming of the room when the Riva™ is first lit. The second is a ducting system that can distribute warm air into the same room or to other living spaces. Installing the fan and ducting system together really will maximise the benefits from this impressive 8kW cassette fire.

Both the cassette fire and frames are finished in a choice of Stovax's Storm or Jet Black metallic paints. There is also a choice of 4 supplementary colour frame finishes to further enhance your styling options.

Additional options	Storm	Jet Black
3 sided, standard Profil frame	RV55PRO3	RV55PRO3B
4 sided, standard Profil frame	RV55PRO4	RV55PRO4B
3 sided, wide Profil frame	RV55PRO3W	RV55PRO3WB
4 sided, wide Profil frame	RV55PRO4W	RV55PRO4WB
Fan-assisted convection circulation kit (240v)	RV55FK	RV55BFK
Warm air ducting kit (2 outlets)	8572	8572
Smoke Control Kit	RV55SCKIT	RV55SCKIT
Stainless steel tool holder	RVAC001	RVAC001
Cast iron, smokeless fuel 'reducing' kit §	RVAC101	RVAC101
Ash caddy	4227	4227
4 supplementary frame colours	see pages 24 - 25	

§ Required if smokeless fuel is to be used regularly.

Fire size	Riva 55
Heat output	8.0kW
Maximum efficiency	84%
Maximum log length	350mm (13 ³ / ₄ "
Flue connection (internal diameter)	128mm (5")

Above:

Riva 55 with standard 3 sided frame in Jet Black Metallic and removable handle in situ.

Right:

Riva 55 with standard 4 sided frame in Storm with handle removed. The optional tool holder is also shown.



RIVA | STOVES & CASSETTES

Outstanding Efficiency

Riva™ cassettes and stoves incorporate the very latest cleanburn technology with a unique 'Opti-Burn' setting. This means that they burn logs or smokeless fuels with outstanding efficiency, resulting in more heat delivery into the room and less going up the chimney. In addition to the radiant heat, a fourth airflow, between the inner and outer skins of the Riva™, provides convected heat. This is emitted into the room naturally or, in the case of the 50, 55, 66 and 76, via an optional fan kit. The cassettes also offer the opportunity to heat other living spaces using an optional ducting system.



All Riva™ cassettes and stoves direct three types of air into the glass-fronted firebox, where they combine to provide superb flame control and exceptional views of the fire which are further enhanced by Stovax's Airwash system that helps keep the glass clean.



Riva 55 with standard 3 sided frame in Jet Black Metallic

Smoke Control Area Approved

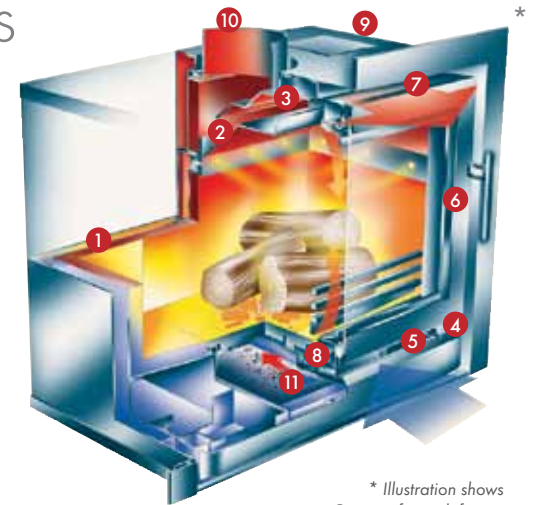
Many of the Riva™ Stoves and Cassettes in this brochure are approved by DEFRA for the burning of logs in Smoke Control Areas (when the appropriate smoke control kit is fitted) and this is shown on the relevant product pages. Your Stovax retailer can give you further help and advice.



Key Design Features

1. High density, thermal brick liner system.
2. Heated air jets from cleanburn ports on all three sides burn hydrocarbons in smoke.
3. Unique stainless steel baffle (multi-fuel).
4. Single combustion control lever.
5. Unique "Opti-Burn" setting provides optimum efficiency and visual effect for woodburning.
6. Airtight door with removable stainless steel handle.
7. Convected and radiant heat.
8. Externally operated riddling grate.
9. Convected heat ducting system outlets (Riva 50, 55, 66 & 76 cassettes only).
10. Easy fit flue connection through cassette.
11. Removable stainless steel ashpan.
12. Optional cast iron, smokeless fuel 'reducing' kit† (not illustrated)
13. Optional stainless steel tool holder (not illustrated)
14. Optional fan-assisted convection system (Riva 50, 55, 66 & 76 cassettes only - not illustrated)
15. Optional ash caddy (not illustrated)

†Required if smokeless fuel is to be used regularly



RIVA FIRE & STOVE | INFORMATION

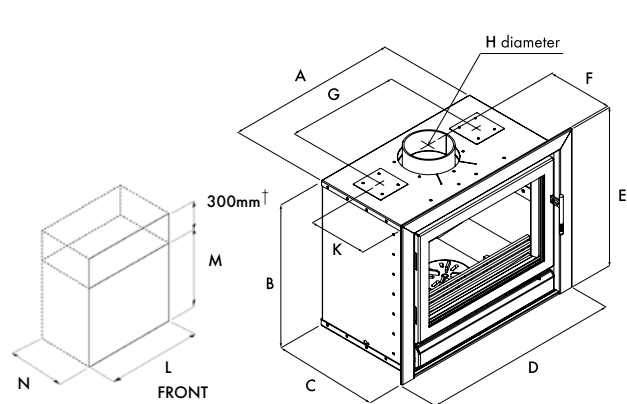
A HETAS approved installer should undertake a site survey prior to purchase and must install any Riva Stoves and Cassette Fires. Your Stovax retailer will be able to advise on this and, in particular, the use of high temperature (1300°C) plaster/screed in the area around Riva Cassettes. You may view/download complete installation instructions at our website - www.stovax.com. These diagrams cover some of the basic requirements:

CASSETTES

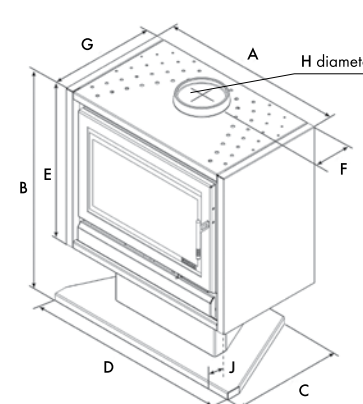
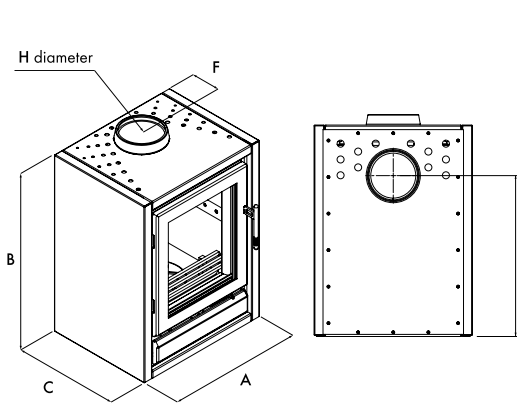
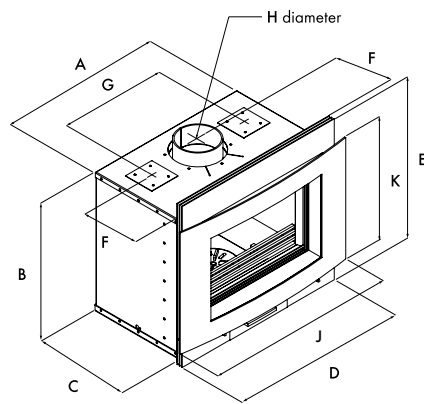
AVANTI CASSETTE

FREESTANDING

PEDESTAL



Opening Dimensions
(Cassette only)



CASSETTE DIMENSIONS

FREESTANDING DIMENSIONS **

PEDESTAL DIMENSIONS

(all dimensions in mm)	Riva 40	Riva 45	Riva 50	Riva 55	Riva 66	Riva 66 Avanti	Riva 76	Riva F40 Freestanding	Riva F66 Freestanding	Riva F76 Freestanding	Riva F66 Pedestal
A	400	400	540	540	650	650	760	451	698	783	699
B	550	660	550	660	550	550	630	602	602	663	826
C	350	350	350	350	395	395	395	355	405	409	420
D	492	492	632	632	742	694	862	-	-	-	766
E	599	709	599	709	599	636	678	119	153	145	603
F	234	234	234	234	248	248	248	-	-	-	150
G	N/A	N/A	360	360	420	420	540	-	-	-	405
H Ø	128	128	128	128	153	153/180	153	128	153	153	153
J	-	-	-	-	-	755	-	-	-	-	15
K	N/A	N/A	N/A	234	248	480	208	-	-	-	-
L	410	410	550	550	660	660	760	-	-	-	-
M	560	670	560	670	560	560	640	-	-	-	-
N	355	360	360	355	405*	405*	405*	-	-	-	-
O	-	-	-	-	-	-	-	458	442	480	-
Door Viewing Area (w x h)	269 x 325	269 x 435	409 x 325	409 x 435	503 x 325	510 x 330	590 x 375	268 x 322	503 x 325	590 x 375	503 x 325
Weight	80kg	80kg	80kg	100kg	110kg	134kg	125kg	82kg	100kg	125kg	114kg

[†]Extra height required when fitting Warm Air Ducting kit.

*Dimension N may be reduced to 355mm when using Profil or Avanti box spacer frame. (3 sided RV66PRO3D/B & RV76PRO3D/B; 4 sided RV66PRO4D/B, RV76PRO4D/B for Riva cassettes or RV66AVSP for the Riva 66 Avanti cassette)

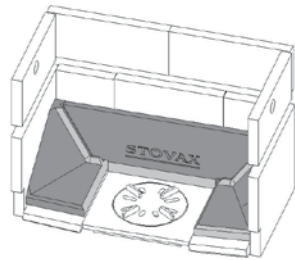
** For stove benches to go with the Freestanding models, please see pages 32 - 33.

Please note the minimum distance to combustible materials for the Riva™ cassettes is 300mm, with the exception of the Riva™ 76 for which you should allow 150mm. For full details please refer to the installation manual.

FURTHER | INFORMATION

Smokeless Fuel 'Reducing Kit'

If you expect to burn smokeless fuels then you will need to fit the Smokeless Fuel 'Reducing' Kit. By placing the cast iron guides into the base of the firebox, you will decrease the amount of fuel you need to load and allow the fuel and cinders to fall towards the grate for improved combustion. However, you may still burn logs with equal efficiency.



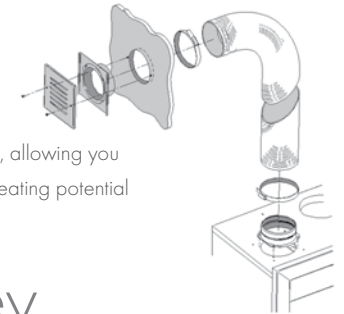
Care of your Riva

To help you get the best performance from your Riva™ and keep it in good condition, inside and out, Stovax offers a wide range of cleaning and maintenance products. Stovax also supply a wide variety of fireplace accessories, which your retailer will be able to provide you with full details or you may view the complete range at www.stovax.com.



Warm Air Ducting kit

The kit, for the cassettes only, which includes two 3 metre lengths of flexible ducting, allowing you to distribute up to half of the heat output to two other living spaces, extending the heating potential throughout your home.



Professional XQ™ Chimney Systems & Enamelled Flue Pipe

Stovax also offer a comprehensive range of stove & fireplace chimney systems, the Stovax Professional XQ™ collection. Crafted from 304L grade stainless steel for a durable outer finish, the fully sealed components offer water tight protection for the insulation within. With innovative decorative options, the ability to specify a colour for your system and with a host of technical advancements such as their Twist-Lock system, the Professional XQ™ range provides an attractive, versatile and reliable solution for your flue system. Furthermore, the Professional XQ™ range carries a 10 year conditional warranty offering complete peace of mind. For further information, please speak to your retailer or visit www.stovax.com/chimneysystems.

As part of the Professional XQ™ range Stovax also offer high quality enamel flue pipe, allowing you to fully co-ordinate the installation of your Riva™ stove. The flue pipe diameters required for each model are given on each of the product pages.

ENAMELLED FLUE PIPE PRODUCT CODES

Description	128mm (5") Diameter	153mm (6") Diameter
Matt black flue pipe		
1' (305mm) straight without door	4500	4600
1' (305mm) straight with door	4504	4604
2' (610mm) straight without door	4501	4601
2' (610mm) straight with door	4505	4605
3' (915mm) straight without door	4502	4602
3' (915mm) straight with door	4506	4606
1'3" - 2'1" (380 - 635mm) telescopic without door	4542	4642
3'4" - 4'6" (1015 - 1370mm) telescopic without door	4540	4640
90° tee piece with end cap (for rear exit)	4516	4616



RIVA CASSETTE PROFIL FRAME DIMENSIONS (MM)

Overall dimensions for the selection of frames available for Riva™ cassettes are as follows:

Product Code	Description	Height	Width
Riva 40			
RV40PRO3/B	3 sided, standard	599	492
RV40PRO3W/B	3 sided, wide	646	586
RV40PRO4/B	4 sided, standard	645	492
RV40PRO4W/B	4 sided, wide	739	586
Riva 45			
RV45PRO3/B	3 sided, standard	709	492
RV45PRO3W/B	3 sided, wide	756	586
RV45PRO4/B	4 sided, standard	755	492
RV45PRO4W/B	4 sided, wide	849	586
Riva 50			
RV50PRO3/B	3 sided, standard	599	632
RV50PRO3W/B	3 sided, wide	646	726
RV50PRO4/B	4 sided, standard	645	632
RV50PRO4W/B	4 sided, wide	739	726
Riva 55			
RV55PRO3/B	3 sided, standard	709	632
RV55PRO3W/B	3 sided, wide	756	726
RV55PRO4/B	4 sided, standard	755	632
RV55PRO4W/B	4 sided, wide	849	726
Riva 66			
RV66PRO3/B	3 sided, standard	599	742
RV66PRO3W/B	3 sided, wide	645	836
RV66PRO3D/B	3 sided, spacer frame†	599	742
RV66PRO4/B	4 sided, standard	645	742
RV66PRO4W/B	4 sided, wide	739	836
RV66PRO4D/B	4 sided, spacer frame†	645	742
Riva 66 Avanti			
RV66AVSP	3 sided, box frame	694	636
Riva 76			
RV76PRO3/B	3 sided, standard	678	862
RV76PRO3W/B	3 sided, wide	728	962
RV76PRO3D/B	3 sided, spacer frame†	678	862
RV76PRO4/B	4 sided, standard	730	862
RV76PRO4W/B	4 sided, wide	830	962
RV76PRO4D/B	4 sided, spacer frame†	730	862